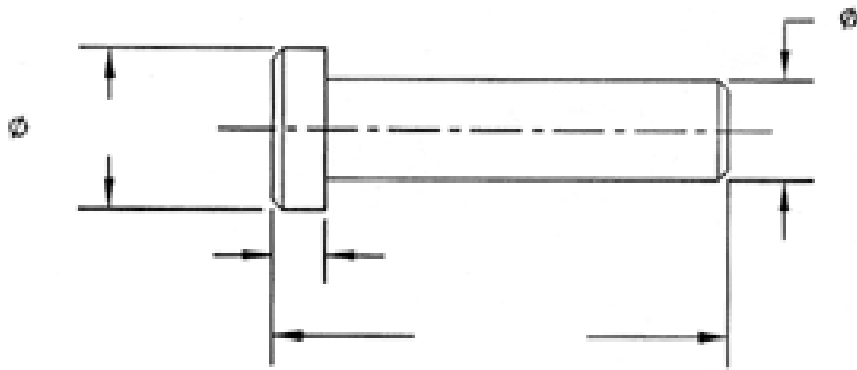
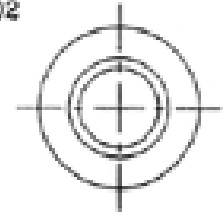


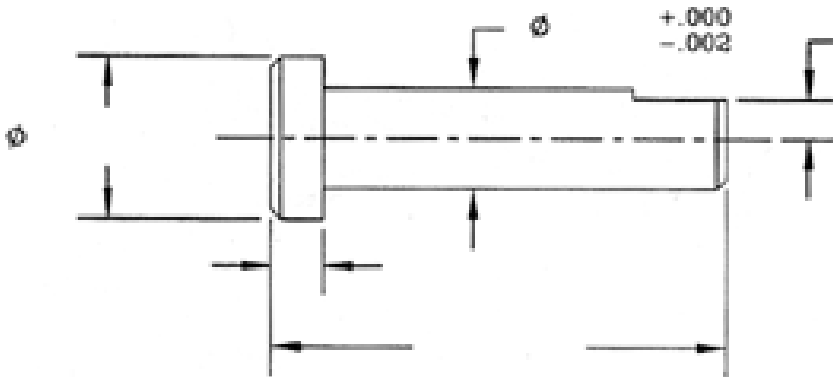
CHAIN PIN TYPE



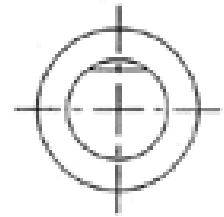
+ .000
- .002



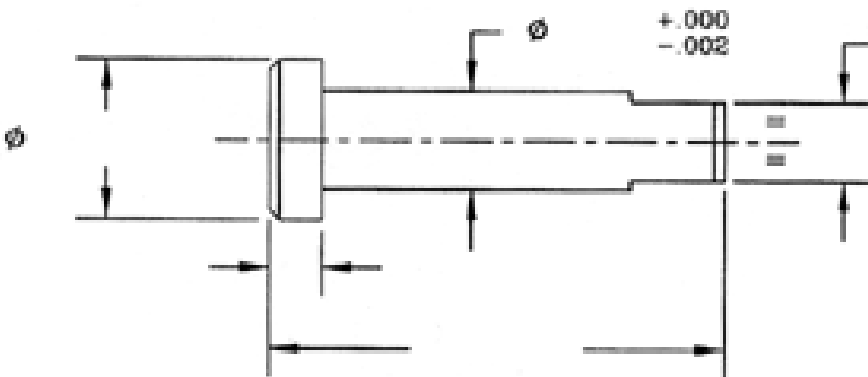
REGULAR



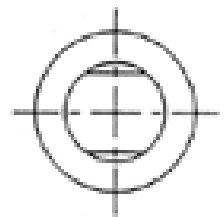
+ .000
- .002



WITH ONE FLAT



+ .000
- .002



WITH TWO FLATS

IDENTIFY THE NEEDED PART

DIMENSION _____

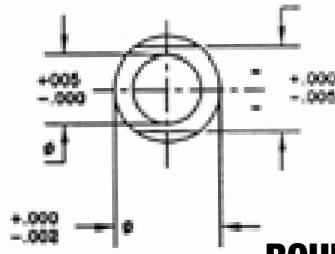
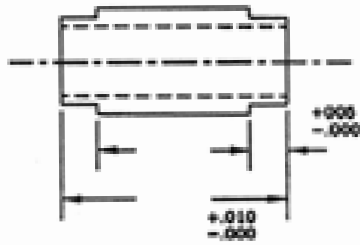
STEEL

STAINLESS STEEL

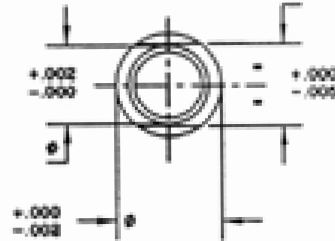
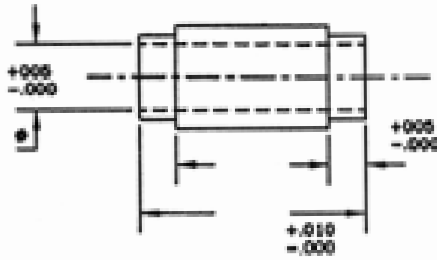
PLASTIC

PARTS OR FOOTAGE

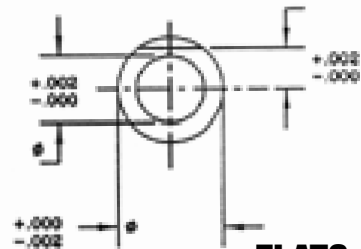
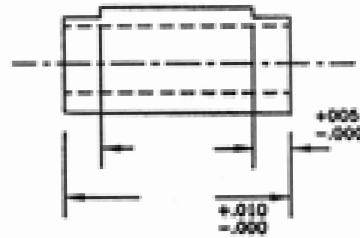
BUSHING TYPE



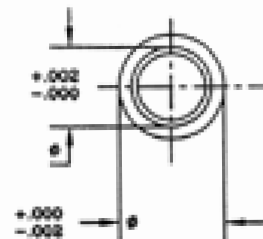
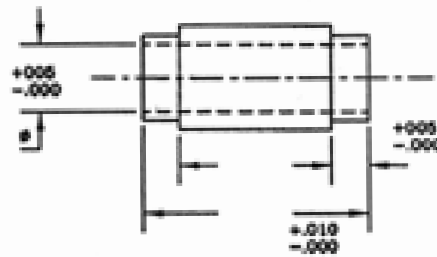
ROUND WITH FLATS



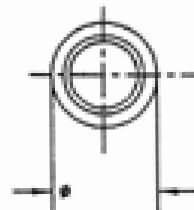
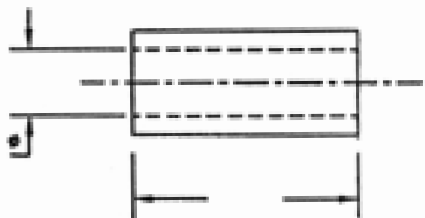
SHOULDERS WITH FLATS



FLATS ON ONE SIDE



ROUND WITH SHOULDERS



STRAIGHT BUSHING

IDENTIFY THE NEEDED PART

DIMENSION _____

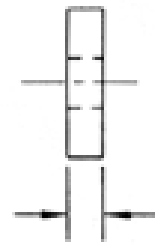
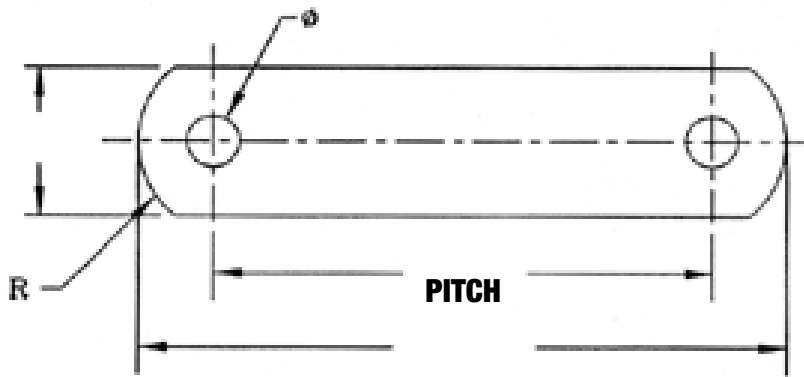
STEEL

STAINLESS STEEL

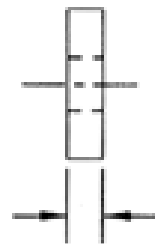
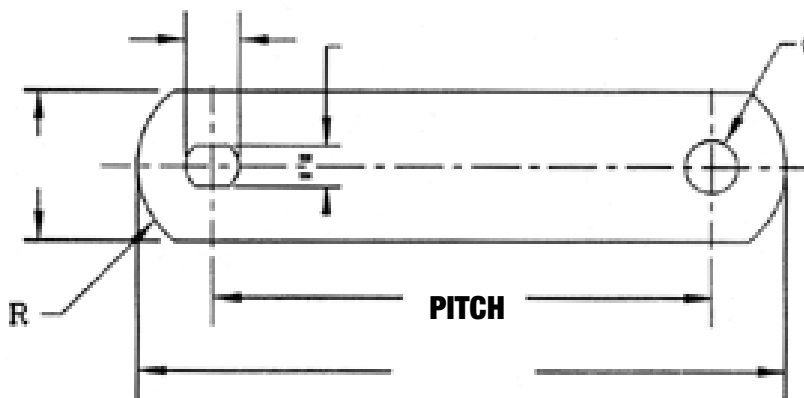
PLASTIC

PARTS OR FOOTAGE

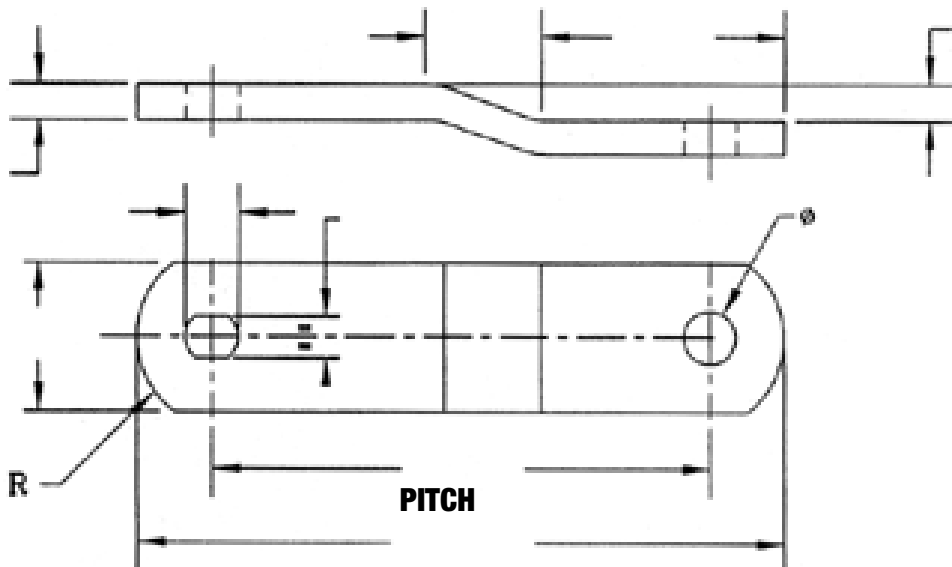
SIDE BAR TYPE



REGULAR



WITH FLAT



OFFSET

IDENTIFY THE NEEDED PART

DIMENSION _____

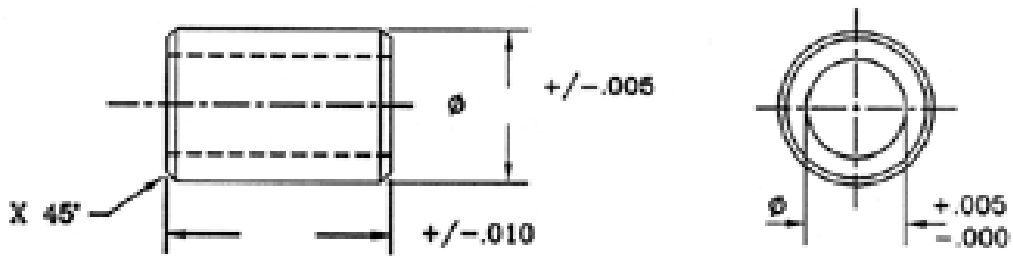
STEEL

STAINLESS STEEL

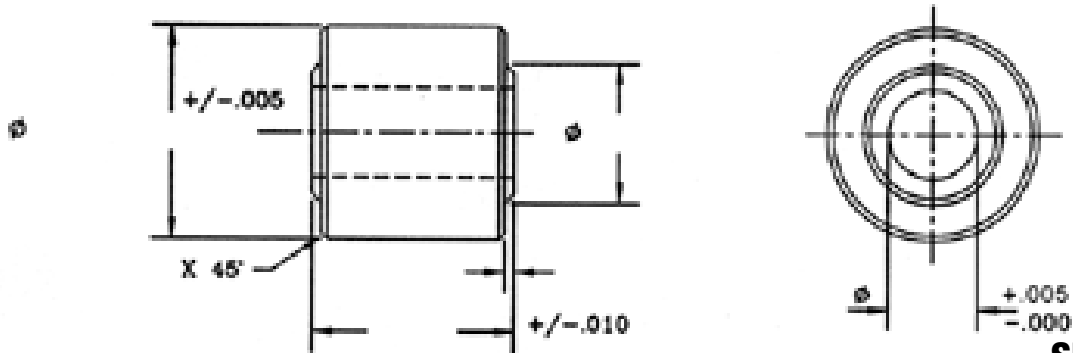
PLASTIC

PARTS OR FOOTAGE

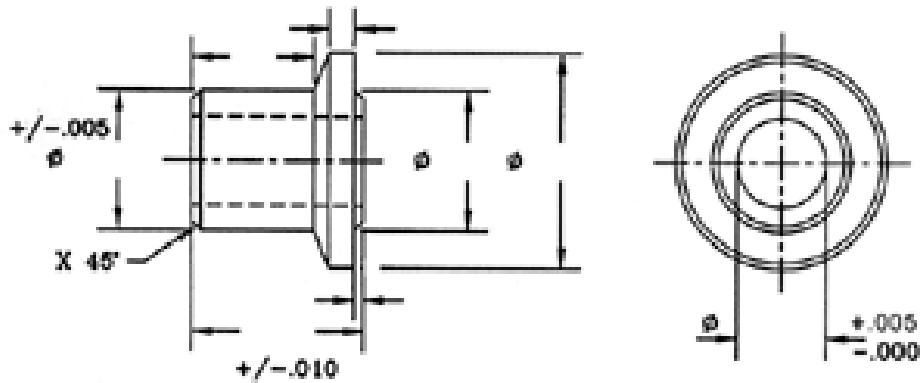
ROLLER TYPE



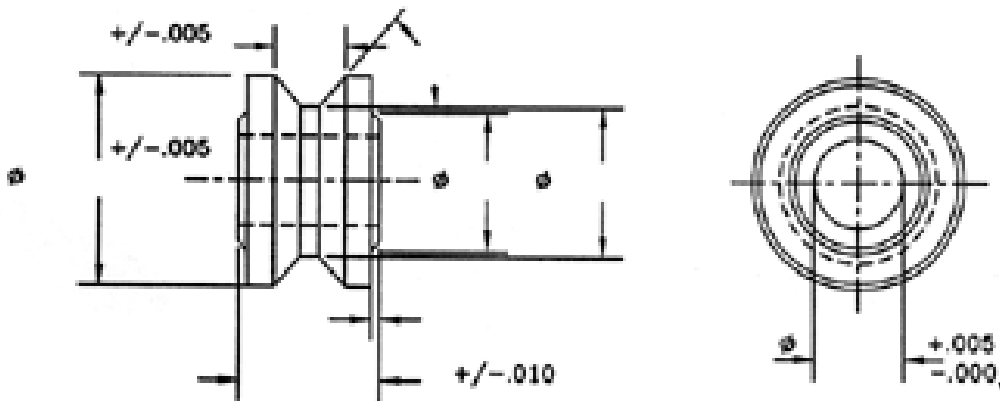
STANDARD



SHOULDER TYPE



FLANGE TYPE



V GROOVE TYPE

IDENTIFY THE NEEDED PART

DIMENSION _____

STEEL STAINLESS STEEL PLASTIC

PARTS OR FOOTAGE